



Our Products:

Aqua Culture Tank
Biological Filter
Drum Filter
Protein Skimmer
Sedimentation Tank
RAS Accessories etc

Email: aquablueras@gmail.com



DRUM FILTER

Mechanical filtration of the outlet water from the fish tanks has proven to be the only practical solution for removal of the organic waste products. Today almost all recirculated fish farms filter the outlet water from the tanks in a so called micro-screen fitted with a filter cloth of typically 40 to 50microns. The drumfilter is by far the most commonly used type of micro-screen, and the design ensures the gentle removal of particles.

Function of the drumfilter:

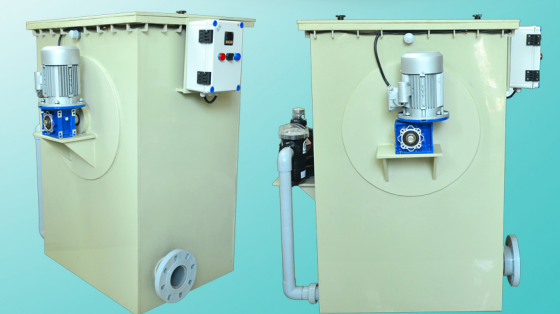
1. Water to be filtered enters the drum.
2. The water is filtered through the drum's filter elements. The difference in water level inside/outside the drum is the driving force for the filtration.
3. Solids are trapped on the filter elements and lifted to the backwash area by the rotation of the drum.
4. Water from rinse nozzles is sprayed from the outside of the filter elements. The rejected organic material is washed out of the filter elements into the sludge tray.

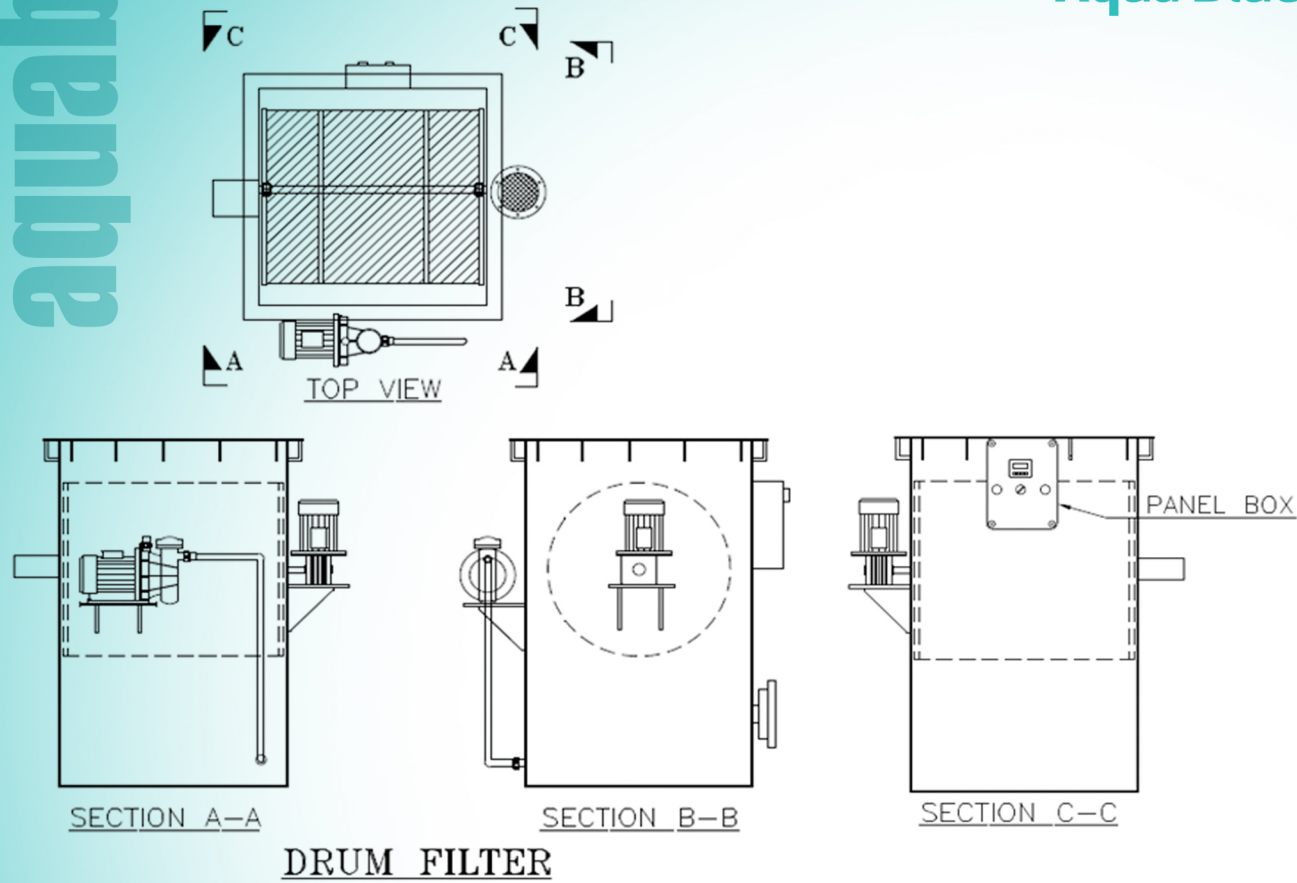
Email: aquablueras@gmail.com

● **DF25T**

● **DF50T**

● **DF100T**





PRODUCT INFORMATION:

Model	Tank Dimension (L x B x H) ft	Drum Dia (mm)	Power (HP)	Drum Micron (mm)	Filtration Capacity /Hr	Material
DF-25T	3 x 2.5 x 4	400 x 600	1.5	40-60	25	PP
DF-50T	4 x 3 x 4	500 x 750	2.5	40-60	50	PP
DF-100T	5 x 4 x 4	600 x 900	4	40-60	100	PP

Drum Filter Equipped with:

- Auto control panel
- Gear box and motor
- Washing pump
- Water Spray nozzle
- SS 50 micron mesh
- Plumbing accessories and etc.

